

MotorGuide REPAIR PARTS

Model: POWER *plus*
F43V

SPECIFICATIONS:

Year of Intro 1998
 Thrust 43 LBS
 Volts 12VDC
 Amp Draw 0 to 48 amps
 Mount 01 Bow
 Speeds Variable

QUICK REFERENCE PARTS GUIDE:

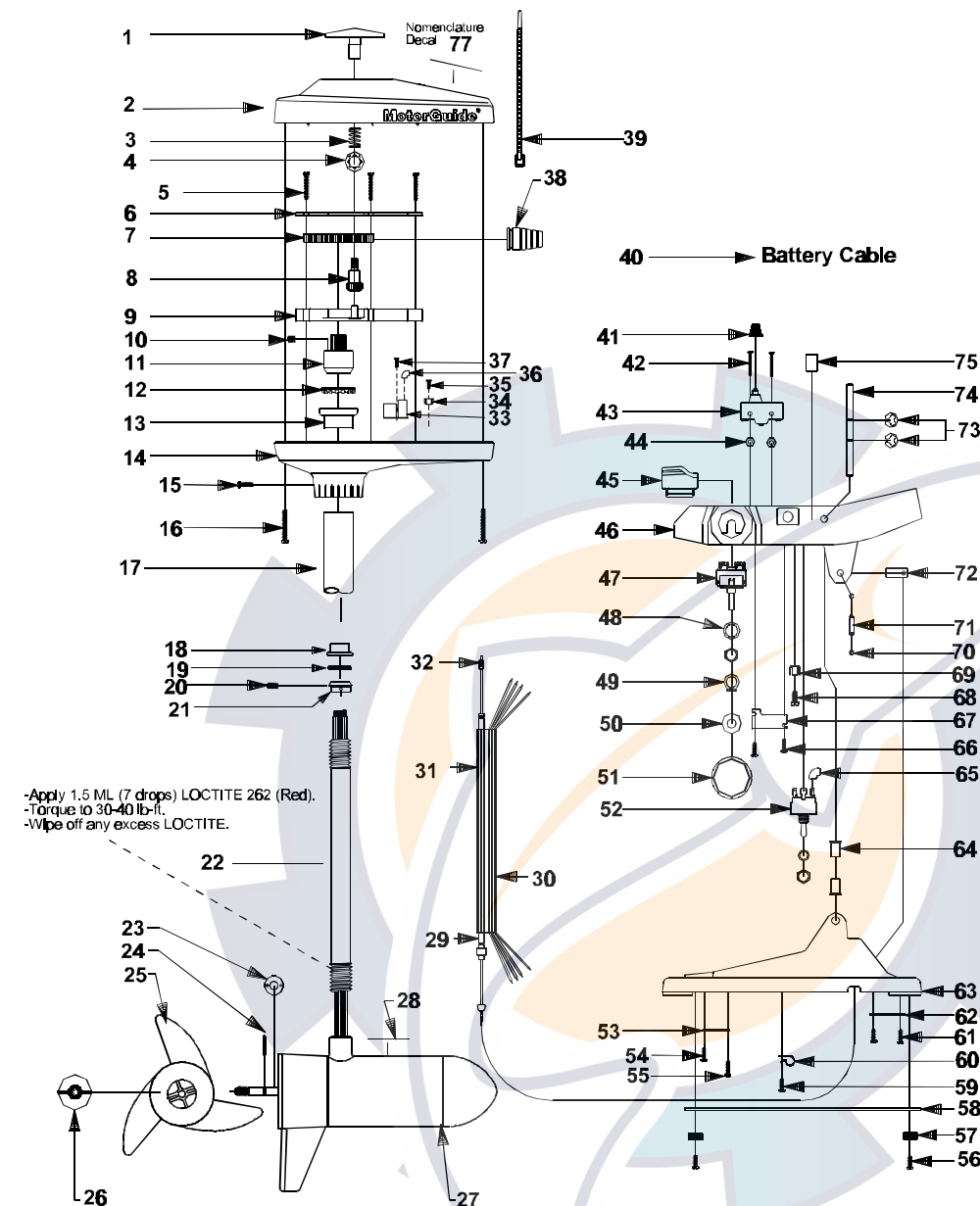
Momentary switch AP151-01
 Toggle Switch FP153-03
 DA Board JF157-03
 MOSFET JF096-08
 Motor Seal Kit 6220

PARTS ORDERING & TECH ASSISTANCE

MotorGuide Consumer Relations
 Phone 918-831-6989
 Fax 800-982-8093

Send Returned Goods to:
 MotorGuide
 605 Hwy 12 West
 Starkville, MS 39760

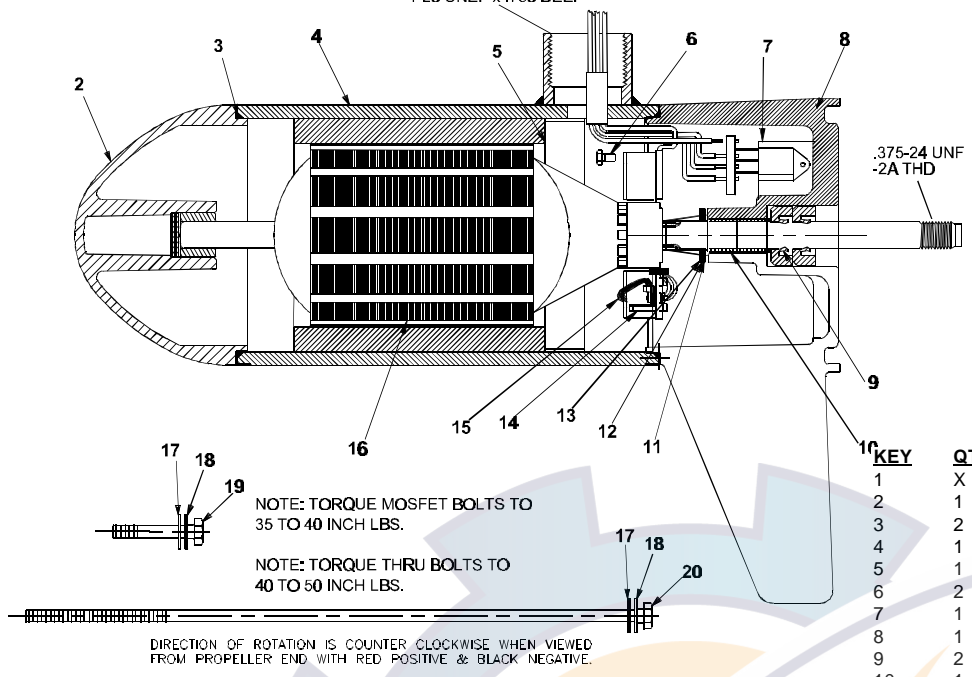
Returned Goods must be accompanied with a Returned Goods Authorization. Contact MotorGuide Consumer Relations to obtain RGA.



| KEY# | PART# | DESCRIPTION | KEY# | PART# | DESCRIPTION | KEY# | PART# | DESCRIPTION |
|------|----------|---------------------|------|-----------|------------------------|------|-----------|--------------------------|
| 1 | JF078-04 | INDICATOR | 26 | AR099-01 | PROP NUT | 52 | FP153-03 | TOGGLE SWITCH 3 POSITION |
| 2 | JF053-19 | TH COVER GENERIC | 27 | CF397-11 | LOWER UNIT | 53 | KP123-01 | CABLE PLATE |
| 3 | AF014-01 | COMPRESSION SPRING | 28 | ET060-04 | LOWER UNIT DECAL | 54 | EK135-01 | 3^ SELF TAP SCREW |
| 4 | AF046-01 | TINNERMAN CLIP | 29 | 9377 | 63" CONTROL CABLE | 55 | AF135-01 | 6 X 1/2" SCREW |
| 5 | AF133-01 | #6 RACK GUIDE SCREW | 30 | MM9006-02 | OUTER JACKET | 56 | AF135-01 | 6 X 1/2" SCREW |
| 6 | AF127-01 | RACK GUIDE COVER | 31 | LP327-11 | STUFFED CABLE ASY | 57 | KP023-01 | FOOT PEDAL PAD |
| 7 | AP125-01 | RACK | 32 | AP141-01 | CONTROL CABLE STUD | 58 | LP3123-01 | WEIGHT PLATE ASY |
| 8 | AF069-01 | INDICATOR GEAR | 33 | JF157-03 | 12V DURA AMP BOARD | 59 | AF135-01 | 6 X 1/2" SCREW |
| 9 | AF126-01 | RACK GUIDE | 34 | FT160-03 | TERMINAL 4 PRONG | 60 | KP036-01 | BATTERY CABLE CLAMP |
| 10 | AF142-01 | 1/4 NUT SET SCREW | 35 | AF135-01 | 6 X 1/2" SCREW | 61 | IR133-01 | SCREW |
| 11 | AF398-02 | NUT SUB ASY | 36 | AT080-01 | INSULATING SLEEVE | 62 | KP036-02 | BATTERY CABLE CLAMP |
| 12 | AF005-01 | BALL BEARING | 37 | AF141-01 | SELF TAPPING SCREW | 63 | LP003-01 | FOOT PEDAL BASE |
| 13 | AF007-01 | BEARING CUP | 38 | AP071-01 | GROMMET | 64 | KP021-01 | SHAFT BUSHING |
| 14 | JF004-03 | TH BASE | 39 | AF030-01 | CABLE TIE | 65 | AT080-01 | INSULATING SLEEVE |
| 15 | AP133-01 | 6 X 5/8 SCREW | 40 | KP328-06 | BATTERY CABLE ASY | 66 | AF135-01 | 36 X 1/2 SCREW |
| 16 | AR133-01 | 8 X 1 3/8 SCREW | 41 | KP157-01 | MICRO SWITCH BOOT | 67 | LP123-03 | RETAINER PLATE |
| 17 | AF165-06 | OUTER TUBE | 42 | LP135-01 | #6-32 X 1 1/2 SCREW | 68 | GR133-01 | #10 X 1/2 SCREW |
| 18 | FM007-01 | BEARING CUP | 43 | AP151-01 | MICRO SWITCH | 69 | FT160-03 | TERMINAL 4 PRONG |
| 19 | FM005-01 | BALL BEARING | 44 | SP098-02 | #6-32 NUT SS | 70 | FP046-01 | E RING |
| 20 | AF143-01 | CONE SET SCREW | 45 | LP026-01 | MICRO BUTTON | 71 | AP105-01 | CABLE PIVOT PIN |
| 21 | AF006-01 | BEARING CONE | 46 | LP101-02 | FOOT PEDAL MARINE | 72 | LP091-01 | CABLE PIVOT |
| 22 | AF049-09 | 42" COLUMN | 47 | AP168-02 | VARIABLE POTENTIOMETER | 73 | BK046-02 | E RING |
| | AF049-08 | 36" COLUMN | 48 | KP171-01 | LOCK WASHER 3/8 | 74 | LP102-01 | FOOT PEDAL ROCKER PIN |
| 23 | RK171-01 | NYLON WASHER | 49 | LP046-01 | GRIP RING | 75 | LP057-03 | TOGGLE SWITCH DECAL |
| 24 | BR102-01 | PROP PIN | 50 | AK171-02 | NYLON WASHER | 76 | | |
| 25 | AF124-10 | 3 BLADE PROP | 51 | LP082-06 | VARIABLE SPEED KNOB | 77 | KF056-08 | NOMECLATURE DECAL |

LOWER UNIT BREAKDOWN

Model:
F43V



| KEY | QTY | DESCRIPTION | PART NO. |
|-----|-----|-----------------------|-----------|
| 1 | X | MOTOR | CF397-11 |
| 2 | 1 | NOSE CAP | JF3212-01 |
| 3 | 2 | O RING SEAL | MR217-01 |
| 4 | 1 | HOUSING ASY | JF3210-01 |
| 5 | 1 | RETAINER | JF233-01 |
| 6 | 2 | BRUSH CARD SCREW | MR228-01 |
| 7 | 1 | DURA AMP MODULE | JF096-08 |
| 8 | 1 | COMM CAP | UF3205-01 |
| 9 | 2 | SHAFT SEAL | MR223-01 |
| 10 | 1 | BEARING | MR206-01 |
| 11 | 1 | NYLATRON WASHER | MR226-01 |
| 12 | 1 | WASHER | MR227-01 |
| 13 | 1 | E RING | MR219-01 |
| 14 | 2 | BRUSH SPRINGS | MR214-02 |
| 15 | 1 | BRUSH ASY LESS SPRING | JF3201-04 |
| 16 | 1 | ARMATURE 3.5" | CF3207-01 |
| 17 | 4 | STATIC SEAL | MR222-01 |
| 18 | 4 | THRU BOLT WASHER | MR216-01 |
| 19 | 2 | DURA AMP SCREW | MR229-01 |
| 20 | 2 | THRU BOLT | MR218-02 |

WIRING

SUBJECT TO DAMAGE BY STATIC ELECTRICITY ASSEMBLE AT STATIC FREE WORK STATION!

SUBJECT TO DAMAGE BY STATIC ELECTRICITY ASSEMBLE AT STATIC FREE WORK STATION!

